

# GENESIS 7000

## REMOTE TONG SYSTEM

Frank's Genesis 7000 is a portable stand alone tong system that is capable of accepting cassettes equipped with various Frank's model tongs. This enables the system to accommodate pipe sizes 3 1/2" thru 14 3/8" and is fluid grip capable 8 3/4" thru 4 1/2".

The Genesis 7000 is designed to be a single lift onto the rig floor. Once the Genesis 7000 is positioned on the rig, the modular rail system folds down over the well center enabling the carriage and tong cassette to travel to and from the well center.



Overall dimensions (L x W x H) 96" x 75" x 112"  
Weight = 11,000 lbs.

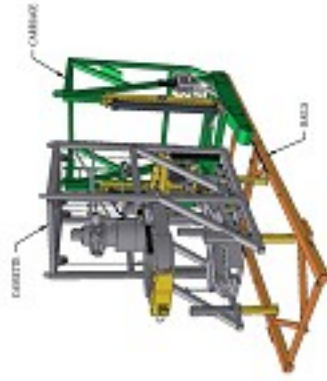
### FEATURES:

- Self-Contained
- Requires rig air supply for control system
- Equipped with Frank's Safety Door Interlock system
- Remote operation enhances safety by removing personnel away from the well center
- Operates with a proportional remote control for controlled speed
- Quickly converts from casing mode to drill pipe landing string by adjusting the separation distance between the tong and backup
- System design allows for single lift of the entire system to the rig floor
- The modular rail system enables the Genesis 7000 to be positioned on various rig floor layouts/sizes
- Front portion of the rail folds up for fast rotary access and transport
- Compatible with Frank's Data Trek Advantage Data Acquisition System
- Unique tong suspension system compensates for thread loss during make-up
- Carriage design provides tong with 50" of vertical travel
- Tong cage plate alignment indicator for fast tong removal
- Dual chain drive eliminates traction loss





# Genesis 7000



MODULAR DESIGN



R.T.S. IN STANDARD POSITION



R.T.S. WITH TONGE-ELEVATED TO CASING CONSPIRATION AT WELL-CENTER



R.T.S. WITH TONGE-ELEVATED TO ANSING-STRING CONSPIRATION AT WELL-CENTER



30' OF VERTICAL TRAVEL



R.T.S. PACKAGED FOR SHIPPING (INCLUDING RAILS) SINGLE-PIECE - NO ASSEMBLY REQUIRED ON-BEELFLOOR